

(FASTRON.)[®] VC-220 Vision Series

8 Product Keys / VFD Display



Character display example

Food Quality

Whether grilling or holding food products, even the most well-trained staff is challenged to deliver consistent food product to your customers. The (FASTRON.)[®] VC-220 meets this challenge by precisely controlling heat demand during cooking of products throughout the kitchen, and prompting action with an audible tone, flashing display and LED indicators.

Food Safety

Product that is undercooked, or held too long in the Danger Zone (40°-140°F/5°-60°C) can potentially expose your customers and crew to dangerous food-borne illness. Bacteria multiplication can be prevented by controlling the time a product is cooked and/or held. The (FASTRON.)[®] VC-220 helps operators avoid food safety dangers by automatically monitoring these cook and hold times.

Adaptability

Today's diverse workforce requires language choices. The operator can toggle between English and Spanish simply by pressing a button on the front panel of the (FASTRON.)[®] VC-220 either before or during a timing cycle.

Timing Cycles

Up to eight distinct timing cycles can be started, giving you the flexibility you need for today's demanding kitchen. For each timing cycle there are up to 11 customizable stages that can be used to cook and hold your food product. The programming time range is 00:00 - 99:59 minutes.

Diagnostics

In order to check the functionality of the VFD display, product keys and LED lights, the control can be placed in a diagnostic mode. This is a very quick and easy way to test the key user interface features.

Across-the-Kitchen Monitoring

The large easy-to-read VFD display and bright red LED lights make checking the progress of any food product from across the kitchen a cinch. One of the unique features of the (FASTRON.)[®] VC-220 is the addition of three cook status indicator lamps—red, green and yellow. These lamps provide a visual indication of stage modes, such as discard, ready to serve or cooking. Labor costs are reduced, while food quality is insured.

Unique Alarm Frequencies

The (FASTRON.)[®] VC-220 can be programmed with one of six (6) different alarm frequencies, making it easy for the crew to know which unit is sounding.

Use It Anywhere

Each (FASTRON.)[®] VC-220 comes complete with mounting brackets to attach the unit to equipment, holding stations or walls.

Future Flexibility

The (FASTRON.)[®] VC-220 is Smart Commercial Kitchen[®] network ready and is NAFEM Data Protocol Compliant when used with a gateway.

Support

As with all Kitchen Brains[™] products, the (FASTRON.)[®] VC-220 comes with 24-hour programming assistance via toll-free phone.

The (FASTRON.)[®] VISION[™] Series Controller Model VC-220 will insure consistent food quality and enhance food safety by precisely controlling heat demand during cooking, holding, grilling and more.

Easy To Use

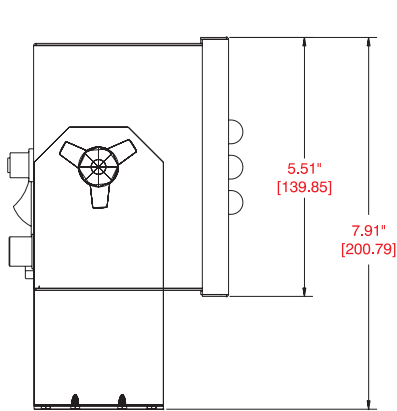
- Intuitive programming prompts
- Automatic or Manual stage cancel mode
- Across-the-kitchen monitoring—bright VFD display (2 lines of 16 characters each), one LED indicator per product key, and three indicator lamps (red, green and yellow)
- Display can show stage names and time
- Flexible mounting—tilt to see from any angle
- 6 unique alarm frequencies
- Toggle from English to Spanish
- On/Off switch in rear of unit

Food Quality Improvements

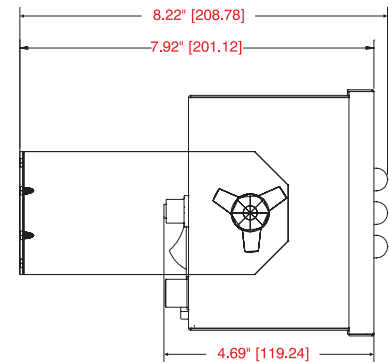
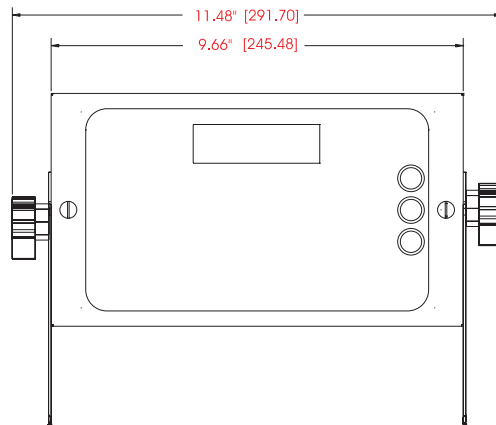
- 11 stages per product key
- Flexibility with action alarms
- Individual hold alarms
- Precision and durability with electronics
- Power loss protection
- SCK Link[®] software giving you the most advanced communications capability available for HACCP reporting and automated on-line kitchen management

(FASTRON.)® VC-220 Vision Series

8 Product Keys / VFD Display



BOTTOM MOUNT



WALL / SIDE MOUNT

SPECIFICATIONS

MECHANICAL

- 20 ga. (.036") stainless steel enclosure
- Polyester face with back-printed text
- Maximum ambient temperature: 158°F / 70°C, 95% max. non-condensing humidity

ELECTRICAL

- Character Height: 0.25"; 16-character VFD (vacuum fluorescent display)
- Indicators: one red LED per product key, and 3 indicator lamps (red, green, yellow)
- Input Power: 120 VAC, 50/60 Hz, Current less than 0.5 amp.
- 10A internal relay for heat demand output
- Power Cord: 6-ft. oil-resistant neoprene, grounded
- 5-pin SCK® connection
- Audio Output: 78 db @ 6 feet
- Solid-state integrated circuit design
- Switch life rating: >1 million cycles
- Status indicators rated life: 50,000 hours
- Noise spike protection: 4000 volt minimum (on timers and all properly installed controls)

SHIPPING WEIGHT

- Approx. 5 lbs. (2.26 Kg)

ORDERING INFO

CONTACT FACTORY (FASTRON.)®
VISION Series
Controller, Model
VC-220



*When used with a gateway.



SCK Link® is a registered trademark of Technology Licensing Corporation and use is subject to the appropriate license agreement.



KITCHEN BRAINS

Driven by **(FAST.)** Networked by **SCK**

Food Automation - Service Techniques, Inc.

905 Honeyspot Road, Stratford, CT 06615-7147 USA

Phone: +1-203-377-4414

Sales: **1-800-FASTRON**

Fax: +1-203-377-8187

International Callers: +1-203-378-6860

www.KitchenBrains.com

Toll-free technical support 24/7 from the U.S., Canada, and Caribbean: **1-800-243-9271**

International offices are located in the United Kingdom, China and Singapore:

Europe, Middle East, Africa, South Asia
31 Saffron Court Southfields Business Park
Basilston, Essex SS15 6SS ENGLAND
Phone: +44 0 1268544000

Asia Pacific
1803, 18F, No 922 Hengshan Rd
Shanghai 200030, CHINA
Phone: +8613916 854 613

15-101, Block 290G, Bukit Batok St. 24
SINGAPORE 65629
Phone: +65 98315927

WARRANTY

Kitchen Brains warrants all new timers, computers, and controllers for 1 year from the date of purchase including computers, controllers, and timers. Kitchen Brains warrants all other items for a period of 90 days unless otherwise stated at the time of purchase.

PATENTS

The products manufactured by Kitchen Brains are protected under one or more of the following U.S. Patents:

5,331,575	5,539,671	5,711,606	5,723,846
5,726,424	5,875,430	6,142,666	6,339,930
6,401,467	6,581,391	7,015,433	7,650,833
7,877,291	8,060,408		

Plus foreign patents and patents pending. Plus licensed patent 5,973,297