

MERIDIAN SERIES

Multi-Process Controls



WHY BUY THIS PRODUCT

Cost effective appliance design for manufacture

- Easy software reconfiguration for a variety of appliance platforms and applications
- Reduced SKUs across multiple appliances from a multi-configurable control
- Allows complex multi-function operations to be accomplished automatically

Reduced customer support costs

- Enhanced food quality, taste, appearance, and consistency as recipes become more complex and ease of use becomes paramount
- Adaptability and serviceability enabled by using (FAST.Edit)[®] software configuration tool
- Advanced diagnostics / enhanced troubleshooting

Additional Value Provided to Your Foodservice Customers

- Enhanced food quality, taste, appearance, and consistency for complex applications where ease of use becomes paramount

Innovatively Differentiate Your Products from the Competition

- Extensive list of optional software features
- Simple to use interface and 14-segment, 8-character display eliminates operator errors
- Adaptability allows use across multiple appliances reducing crew training
- Optional communications allows connectivity for HACCP reporting and to today's automated kitchen systems

Product Features

- Simple to operate with (FAST.Nav)[™] programming keys
- Multiple appliance configurations and tuning parameters software selectable
- Programmable duty cycle flexibility to monitor and manage multiple processes:
 - Time, temperature, motor control, dampers, circulating pumps, solenoids, actuators, clean mode, detergent dispensing, plus many more
- Product and action alarm names are selectable from either a built-in library or entered manually
- Flexible design allows for a universal design platform across multiple customers/appliances through feature selection such as (FAST.Flex)[™] time, comprehensive diagnostics, and communications
- 10 or 18 product keys and large 14-segment 8-character display(s) for a greater range of names and prompts
- Optional real time clock and up to 10 cooking stages
- RoHS compliance reduces hazardous substances and meets all domestic and international standards



Reliable and precise premium performance multi-process control with extensive input / output capability to meet your most complex control requirements. Delivers a longer life in extremely demanding environments.

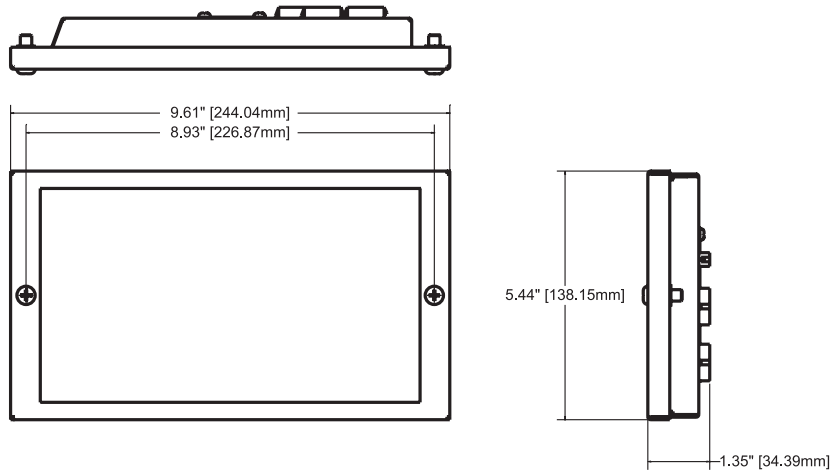
Popular Appliance Applications

- Grills
- Fryers
- Ovens
- Broilers
- Holding Stations
- Rethermalizers
- Plus Other Applications

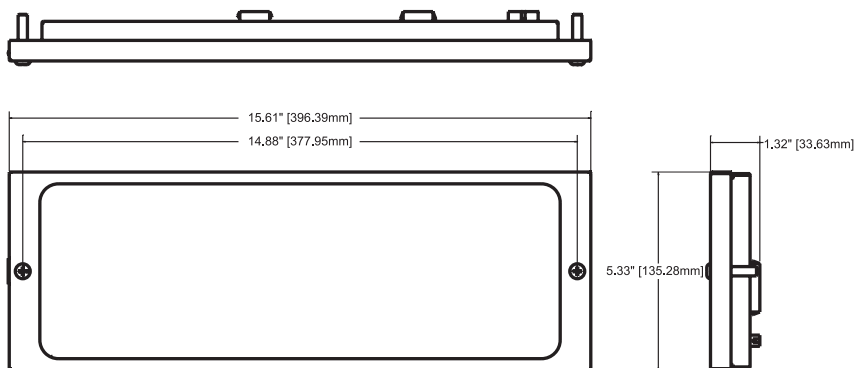
Meridian Series

Multi-Process Controls

10 BUTTON CONTROL (MINI) – (RECOMMENDED SHEET METAL CUTOUT SIZE)



18 BUTTON CONTROL (MAXI) – (RECOMMENDED SHEET METAL CUTOUT SIZE)



DIMENSIONS IN BRACKETS [] ARE IN MILLIMETERS

SPECIFICATIONS

- Input Voltage: 24VAC +/-10%; 50/60 HZ
- Power Consumption: 40 VA max.
- Temp. Probe (Analog) Inputs: Up to (2) 1K RTD or 91K Thermistor
- Digital Inputs: (4) 24VDC Digital Inputs (Door Switches, Product Load Switches, etc.)
- Outputs / Type: Up to (8) 24VDC Relay Driver Outputs; (1) 24VDC PWM Output (10K or 20KHz) to drive remote relays, heat sources, basket lifts, solenoids, valves, and other requirements.
- Audible Output Devices: Piezo 95dB at 5 feet (1.5 meters)
- Temp. Control Range: 32-550°F (0-287.7°C)
- Temp. Offset: +/- 20°F (-6.6°C)
- Temperature Control Type: ON/OFF (Proportioning SmartStat™)
- Hysteresis: -3 to 0°F (-19.4 to -17.7°C)
- Temperature Accuracy: 5° F or C
- Visual Displays: Large 14 Segment Display; Red single Product Key LEDs (10 or 20)
- Programming Keys: Membrane keypad (22 or 34); (FAST.Nav)™ Programming
- Membrane Keypad Life: 5 million cycles
- Noise Spike Protection: 4,000 Volt Minimum (on timers and all properly installed controls)
- Environmental Operating Conditions: Ambient 158°F/70°C, 95% non-condensing humidity

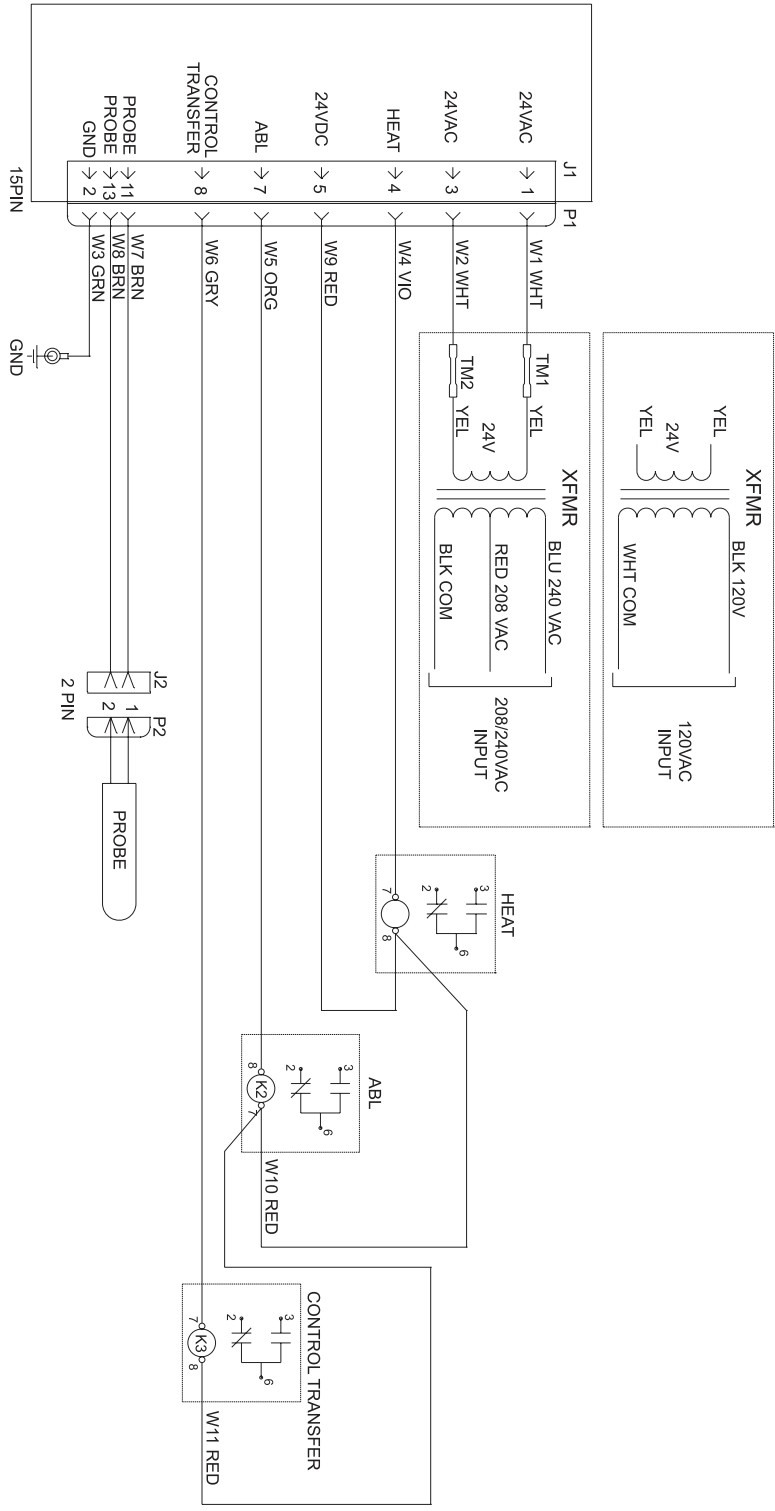
SHIPPING WEIGHT

- 10-Button: Approx. 3 lbs. (1.40 Kg)
- 18-Button: Approx. 10 lbs. (4.60 Kg)

ORDER INFO

| Part Number | Description | Case Qty |
|-----------------|-------------|----------|
| Consult Factory | | 10 |

TYPICAL WIRING DIAGRAM



Meridian Series

Multi-Process Controls

Want to learn more about Kitchen Brains™ products?

Visit our website to learn about additional controls for our appliance partners:
www.KitchenBrains.com



SCK Link® is a registered trademark of Technology Licensing Corporation and use is subject to the appropriate license agreement.



*When used with a gateway.

Family Applications

| | | |
|-------------------|----------------|-------------------------|
| Air Boilers | Bain Marie | Beverage Dispensing |
| Broilers | Buffets | Cheese Melters |
| Coffee Dispensing | Dishwashers | Drawer Warmers |
| Freezers | Fryers | Grills/Griddles |
| Holding Cabinets | Ice Machines | Jacketed Steam Kettles |
| Laundry Equipment | Marinators | Ovens (Combi, Micro...) |
| Pasta Cookers | Product Mixers | Proofers |
| Refrigerators | Rethemalizers | Smokers |
| Steam Tables | Toasters | ...and Others |

What They Do: Multi-Process controls provide an integrated approach for kitchen crews to be effective in managing the most sophisticated appliances with ease. Multiple input/output functions for consistent and repeatable high food quality and safety are managed by this control family with minimal operator interface.

Position Within Kitchen Brains™ Product Line: Premium Performance Solutions.

Feature Highlights:

- Manage multiple processes / inputs & outputs
- Highly configurable and easy to use
- Multiple configurable outputs coordinated with timing functions
- Cook lockout ability
- SMS (Service Management System)
- Recipe profiling and stage management
- Auto appliance diagnostics
- Easily configurable with custom features added on demand
- Setback mode for energy conservation
- Communications link to today's automated kitchens



KITCHEN BRAINS

Driven by **(FAST)®** Networked by **SCK**

Food Automation - Service Techniques, Inc.
905 Honeyspot Road, Stratford, CT 06615-7147 USA

Phone: +1-203-377-4414

Sales: **1-800-FASTRON**

Fax: +1-203-377-8187

International Callers: +1-203-378-6860

www.KitchenBrains.com

Toll-free technical support 24/7 from the U.S.,
Canada, and Caribbean: **1-800-243-9271**

International offices are located in the United Kingdom, China and Singapore:

Europe, Middle East, Africa, South Asia
31 Saffron Court Southfields Business Park
Basilidon, Essex SS15 6SS ENGLAND
Phone: +44 0 1268544000

Asia Pacific
1803, 18F, No 922 Hengshan Rd
Shanghai 200030, CHINA
Phone: +8613916 854 613

15-101, Block 290G, Bukit Batok St. 24
SINGAPORE 65629
Phone: +65 98315927

WARRANTY

Kitchen Brains warrants all new timers, computers, and controllers for 1 year from the date of purchase including computers, controllers, and timers. Kitchen Brains warrants all other items for a period of 90 days unless otherwise stated at the time of purchase.

PATENTS

The products manufactured by Kitchen Brains are protected under one or more of the following U.S. Patents:

| | | | |
|-----------|-----------|-----------|-----------|
| 5,331,575 | 5,539,671 | 5,711,606 | 5,723,846 |
| 5,726,424 | 5,875,430 | 6,142,666 | 6,339,930 |
| 6,401,467 | 6,581,391 | 7,015,433 | 7,650,833 |
| 7,877,291 | 8,060,408 | | |

Plus foreign patents and patents pending. Plus licensed patent 5,973,297

This document contains confidential information. The dissemination, publication, copying, or duplication of this document or the software described herein without prior written authorization is strictly prohibited.