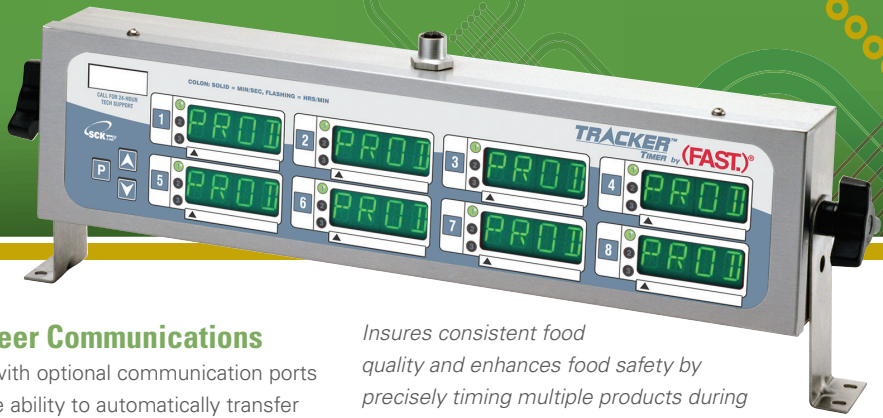


Model 24 (8 displays) Multi-Display Timer



Food Quality

Whether keeping product in a holding cabinet or chute, or grilling multiple products simultaneously, even the most well-trained staff is challenged to deliver consistent food product to your customers. The TRACKER™ meets this challenge by precisely timing any combination of products throughout the kitchen, and prompting action with an audible tone and flashing display.

Timing Cycles

Up to three separate timing cycles per product key can be started, allowing you the flexibility to time up to 24 products. The 3 status LEDs illuminate to let you know the progress of each timing cycle.

Food Safety

Product that is undercooked, or held too long in the Danger Zone (40°-140°F/5°-60°C) can potentially expose your customers and crew to dangerous food-borne illness. Bacteria multiplication can be prevented by controlling the time a product is cooked and/or held. The TRACKER helps operators avoid food safety dangers by automatically monitoring these cook and hold times.

Easy To Use

Setting the TRACKER is as simple as an alarm clock. Each of the independent product keys can be programmed to count up or down in minutes and seconds or hours and minutes (up to 99 hours, 59 minutes per cycle)—eliminating human error, and automatically maintaining a higher level of control.

Across-the-Kitchen Monitoring

The large easy-to-read green LED displays, each with three status LEDs, make checking progress of any food product from across the kitchen a cinch. Labor costs are reduced, while food quality is insured.

Peer to Peer Communications

TRACKERS with optional communication ports (CP) have the ability to automatically transfer time from one TRACKER to another with Master and Satellite pairing.

Display Time or Product Names

It's your choice. The TRACKER can easily be programmed to display cycle time or product names. Names can be derived from a preloaded library or you can program your own.

Unique Alarm Sounds

Each TRACKER can be programmed with one of six (6) different alarm sounds, making it easy for the crew to know which unit is sounding.

Volume Control

The TRACKER comes standard with three programmable volume levels—low, medium and high. Use the TRACKER in the front or rear of the store without disturbing customers.

Use It Anywhere

The TRACKER comes complete with mounting brackets to attach the unit to equipment, holding stations, or walls.

Future Flexibility

The TRACKER is Smart Commercial Kitchen® network ready and is NAFEM Data Protocol Compliant.

After the Sale Support

As with all Kitchen Brains™ products, the TRACKER Timer comes with 24-hour programming assistance via toll-free phone.

Insures consistent food quality and enhances food safety by precisely timing multiple products during cooking, holding, grilling and more.

Easy to Use

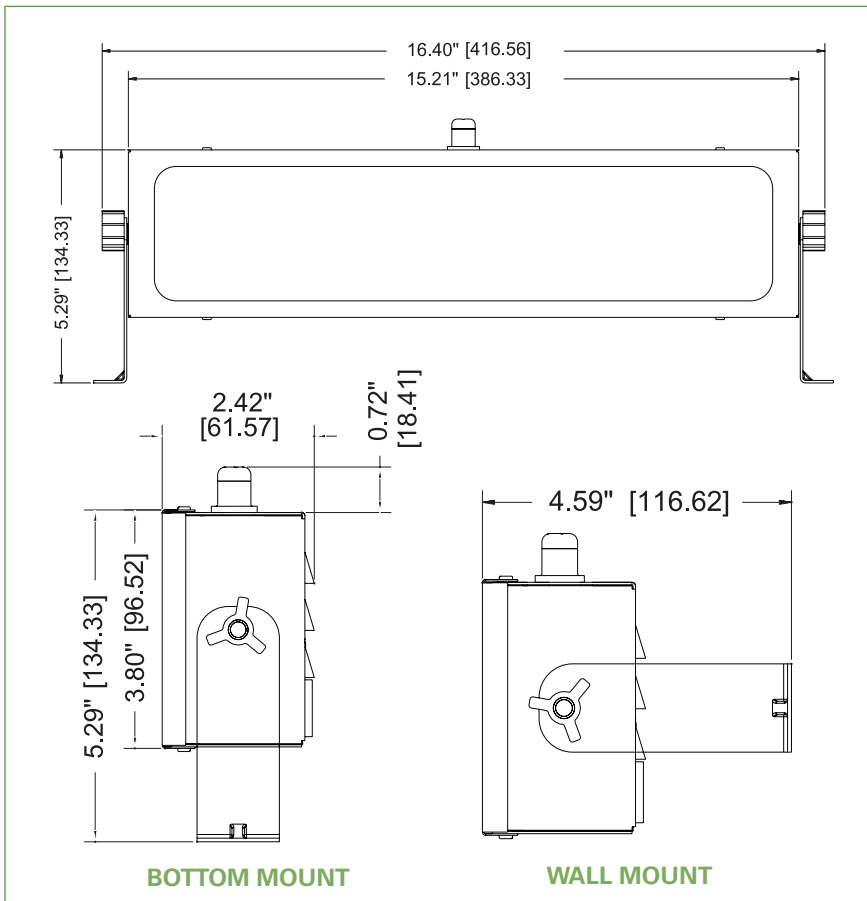
- Intuitive programming prompts
- Program unique words for product name and action alarm message
- Across-the-kitchen monitoring—8 independent, easy-to-read green LED displays
- 3 status LEDs per product key
- Displays can show time or product names
- Flexible mounting—tilt to see from any angle
- Uses 90-240 volt power
- Count up or down option
- 6 unique alarm sounds
- 3 volume levels

Food Quality Improvements

- 5 stages per product key—time, name, cancel mode, alarm time and beep sound
- Flexibility with action alarms
- Individual hold alarms
- Precision and durability with electronics
- Power loss

Tracker™ Timer Model 24 (8 displays)

Multi-Display Timer



SPECIFICATIONS

MECHANICAL

- 20 ga. (.036") stainless steel enclosure
- Polyester face with back-printed text
- Faceplate: polyester with back-printed text and removable menu strip
- Maximum ambient temperature: 158°F / 70°C, 90% max. RH non-condensing

ELECTRICAL

- Power Input: 90-240VAC, 50/60 Hz, Current less than 0.5 amp.
- 8 Four-Digit Displays: .625"H, 14-segment green LED
- Action Alarms: 1 per stage
- Indicators: green LED
- Power Cord: Removable 90-degree angle, 6-ft. oil-resistant neoprene, grounded
- Audio Output: 78 db @ 6 feet
- Solid-state integrated circuit design
- Switch life rating: 10 million cycles
- Status indicators rated life: 50,000 hours
- Noise spike protection: 4000 Volt Minimum (on timers and all properly installed controls)

SHIPPING WEIGHT

- Approx. 6 lbs. (2.72 Kg)

ORDER INFO

| Part Number | Description |
|-------------|------------------------------------------------------------------------|
| TRACK2X4 | TRACKER Model 24, standard |
| TRACK2X4CP | TRACKER Model 24 with communication port |
| TRACK2X4CPM | 'Master' Tracker Model 24 with comm. port for peer to peer function |
| TRACK2X4CPS | 'Satellite' Tracker Model 24 with comm. port for peer to peer function |

NOTE: When ordering, indicate voltage and type of line cord required.



SCK Link® is a registered trademark of Technology Licensing Corporation and use is subject to the appropriate license agreement.



229-51279

KITCHEN BRAINS

Driven by **(FAST)®** Networked by **SCK**

Food Automation - Service Techniques, Inc.
905 Honeyspot Road, Stratford, CT 06615-7147 USA

Phone: +1-203-377-4414

Sales: **1-800-FASTRON**

Fax: +1-203-377-8187

International Callers: +1-203-378-6860

www.KitchenBrains.com

Toll-free technical support 24/7 from the U.S., Canada, and Caribbean: **1-800-243-9271**

International offices are located in the United Kingdom, China and Singapore:

Europe, Middle East, Africa, South Asia
31 Saffron Court Southfields Business Park
Basilidon, Essex SS15 6SS ENGLAND
Phone: +44 0 1268544000

Asia Pacific
1803, 18F, No 922 Hengshan Rd
Shanghai 200030, CHINA
Phone: +8613916 854 613

15-101, Block 290G, Bukit Batok St. 24
SINGAPORE 65629
Phone: +65 98315927

WARRANTY

Kitchen Brains warrants all new timers, computers, and controllers for 1 year from the date of purchase including computers, controllers, and timers. Kitchen Brains warrants all other items for a period of 90 days unless otherwise stated at the time of purchase.

PATENTS

The products manufactured by Kitchen Brains are protected under one or more of the following U.S. Patents:

| | | | |
|-----------|-----------|-----------|-----------|
| 5,331,575 | 5,539,671 | 5,711,606 | 5,723,846 |
| 5,726,424 | 5,875,430 | 6,142,666 | 6,339,930 |
| 6,401,467 | 6,581,391 | 7,015,433 | 7,650,833 |
| 7,877,291 | 8,060,408 | | |

Plus foreign patents and patents pending. Plus licensed patent 5,973,297