

(FASTRON.)[®] MEC-110 Plus Meridian Series

Freestanding Compensating Appliance COMPUTER

10 Product Keys



Focus on Food Safety and Quality

Product that is undercooked or held too long in the Danger Zone (40°-140°F/5°-60°C) can potentially expose your customers and crew to dangerous food-borne illness. Bacteria multiplication can be prevented by controlling the time a product is cooked and/or held. The Meridian helps operators avoid food safety dangers by automatically monitoring these cook and hold times.

Patented (FAST.Flex)[™] technology automatically adjusts the cook time for variances in initial cook temperature, appliance efficiency and capacity, product consistency and temperature, water context and other factors affecting the cooking cycle. Precisely timed products deliver consistently good-tasting food to your customers. Hold timers also ensure that expired product is never served.

Easy to Program

(FAST.Nav)[™] mobile phone style and predictive text programming reduces training time and increases productivity. Each key can be independently programmed for cook time, hold time and action alarm time.

Simple to Use

The push of a product key starts a cook cycle. Operators are alerted to action with audible tones.

Programmable hold time linking allows each product key to be linked to an independent hold timer, or multiple product keys to be linked to a single hold timer.

User-Friendly Messaging

14-segment 8-character displays allow a greater range of names and prompts to be used. Create your own product menu and action alarm names, or choose from a pre-programmed library of standard menu items.

Secure Operation

Separate pass codes for store managers and employees prevent unauthorized re-programming.

Reliability

Solid-state devices always have a longer life than mechanical devices. Probes never need to be calibrated. There are no menu labels to wear off after repeated use—instead Kitchen Brains offers you easily replaceable menu strips.

Backup Timer Mode gives you the flexibility to use the Meridian PLUS Computer as a timer in the event of a probe failure.

24/7 Technical Support

As with all Kitchen Brains[™] products, the (FASTRON.)[®] Meridian comes with 24-hour programming assistance via toll-free phone.

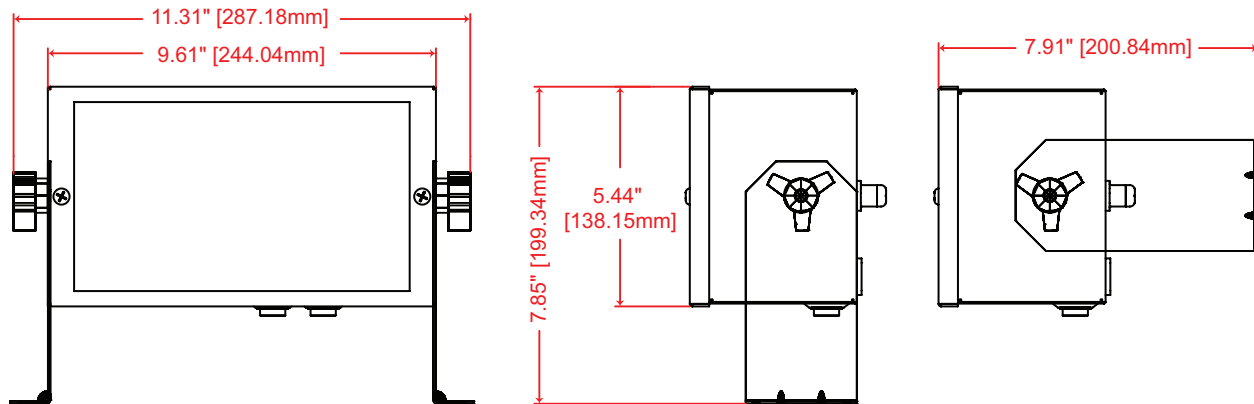
Increase Yield and Reduce Product Meridian[™] Plus Compensating Appliance Computer – an economical way to get the functionality of a timer, but with more benefits, the MEC-110 Plus Computer monitors the appliance with a sturdy probe that senses any change in temperature during the cook cycle and automatically adjusts the length of cooking time. One or two temperature sensing probes can be used for single- or double-appliance monitoring.

Standard Features

- 10 Product Keys to support ever-changing menus. More space for LTOs (limited time offers).
- Automatic appliance test verifies proper heating of the appliance
- Least-hold display automatically notifies the operator which product is about to expire.
- Programmable hold time linking
- Fully RoHS compliant
- Larger LED displays with (8) eight characters
- Replaceable menu strip for quick and easy menu changes
- Replaceable feature key menu strip with globalized symbols
- Product and Action Alarm name library programming
- 3 programmable action alarms per key
- 10 unique hold times
- SCK[®] Xwire[™] wireless communications compatible for the networked kitchen
- (FAST.Edit)[®] and (FAST.Transfer)[™] compatible. Reduces time and cost to change recipes. Ensures consistent recipes across all appliances / restaurants.
- SCK Link[®] software giving you the most advanced communications capability available for HACCP reporting and automated on-line kitchen management.

(FASTRON.)® MEC-110 Plus Meridian Series

Freestanding Compensating Appliance COMPUTER



DIMENSIONS ARE SHOWN IN INCHES AND MILLIMETERS.

SPECIFICATIONS

MECHANICAL

- Controller: .060 aluminum front panel
- Chassis: .040 aluminum
- Faceplate: polyester with back-printed text and removable menu strip
- Maximum ambient temperature: 158°F / 70°C, 90% max. RH non-condensing

ELECTRICAL

- Power Input: 120VAC +/- 10%, .33 Amp, 50/60 Hz, 40 VA Max.
240VAC +/- 10%, .167 amp, 50/60 Hz, 40 VA Max.
- Temperature Inputs: 1 or 2 temperature sensing thermistor probe
- Probe: thermistor with 72" armored cable
- Surface mounted circuit design
- Membrane keypad life: 5 million cycles
- Status indicators rated life: 50,000 hours
- Power cord: Detachable 6 ft. oil-resistant neoprene, grounded
- Noise spike protection: 4000 volt minimum (*on timers and all properly installed controls)

SHIPPING WEIGHT

- Approx. 8 lbs. (3.7 Kg)

ORDERING INFO

CM1-60211-01 10 Product Meridian Plus Computer, 1 Probe*, Freestanding, 90-240V

CM2-60211-05 10 Product Meridian Plus Computer, 2 Probes*, Freestanding, 90-240V

When ordering, indicate voltage and type of line cord required.

*Probes and probe mounts are sold separately.

Consult factory for other applications.



COMMERCIAL COOKING APPLIANCES ALSO CLASSIFIED BY ETL IN ACCORDANCE WITH NSF STANDARD NO. NSF-100. DESIGN EVALUATED BY ETL IN ACCORDANCE WITH ANSI/ISA 22.33 AND CAN/CSA 1.4 & 1.7.



KITCHEN BRAINS

Driven by **(FAST.)** Networked by **SCK**

Food Automation - Service Techniques, Inc.

905 Honeyspot Road, Stratford, CT 06615-7147 USA

Phone: +1-203-377-4414

Sales: **1-800-FASTRON**

Fax: +1-203-377-8187

International Callers: +1-203-378-6860

www.KitchenBrains.com

Toll-free technical support 24/7 from the U.S., Canada, and Caribbean: **1-800-243-9271**

International offices are located in the United Kingdom, China and Singapore:

Europe, Middle East, Africa, South Asia
31 Saffron Court Southfields Business Park
Basilidon, Essex SS15 6SS ENGLAND
Phone: +44 0 1268544000

Asia Pacific
1803, 18F, No 922 Hengshan Rd
Shanghai 200030, CHINA
Phone: +8613916 854 613

15-101, Block 290G, Bukit Batok St. 24
SINGAPORE 65629
Phone: +65 98315927

WARRANTY

Kitchen Brains warrants all new timers, computers, and controllers for 1 year from the date of purchase including computers, controllers, and timers. Kitchen Brains warrants all other items for a period of 90 days unless otherwise stated at the time of purchase.

PATENTS

The products manufactured by Kitchen Brains are protected under one or more of the following U.S. Patents:

5,331,575	5,539,671	5,711,606	5,723,846
5,726,424	5,875,430	6,142,666	6,339,930
6,401,467	6,581,391	7,015,433	7,650,833
7,877,291	8,060,408		

Plus foreign patents and patents pending. Plus licensed patent 5,973,297

This document contains confidential information. The dissemination, publication, copying, or duplication of this document or the software described herein without prior written authorization is strictly prohibited.